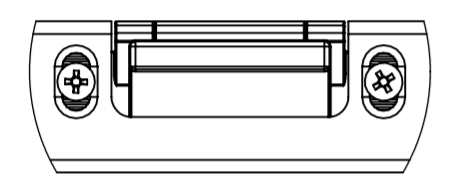
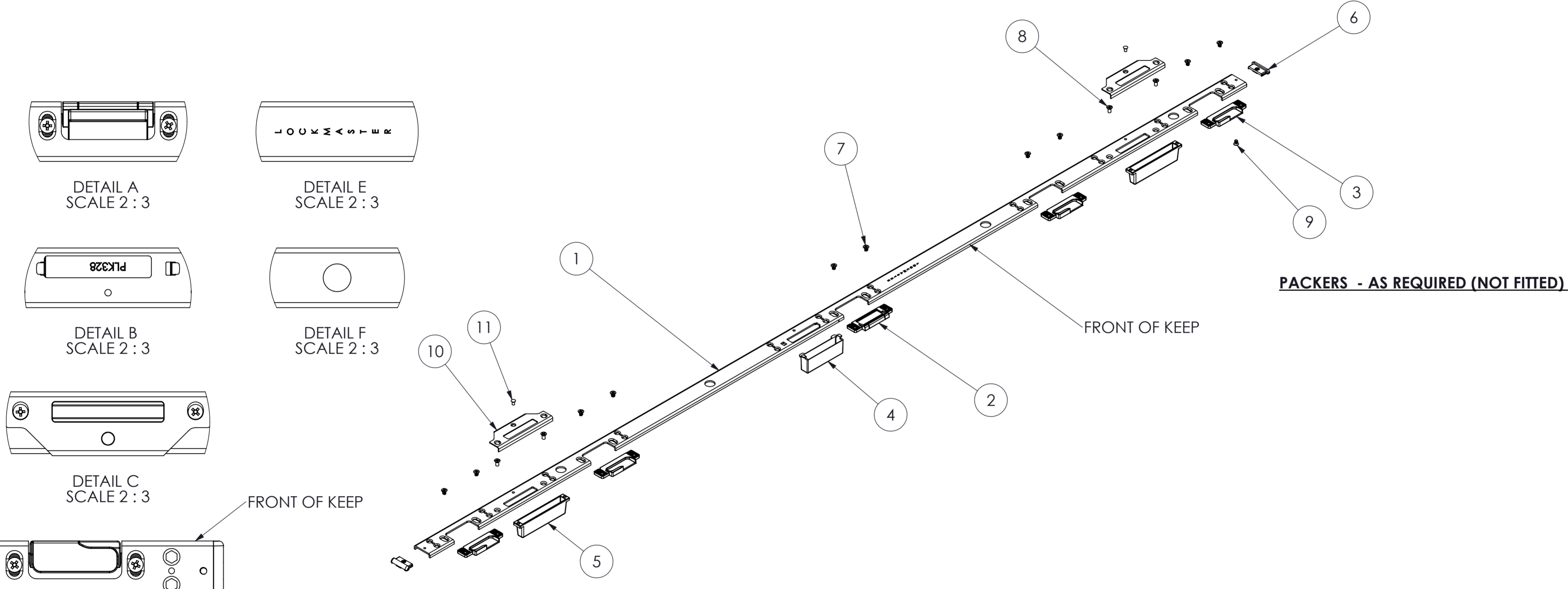
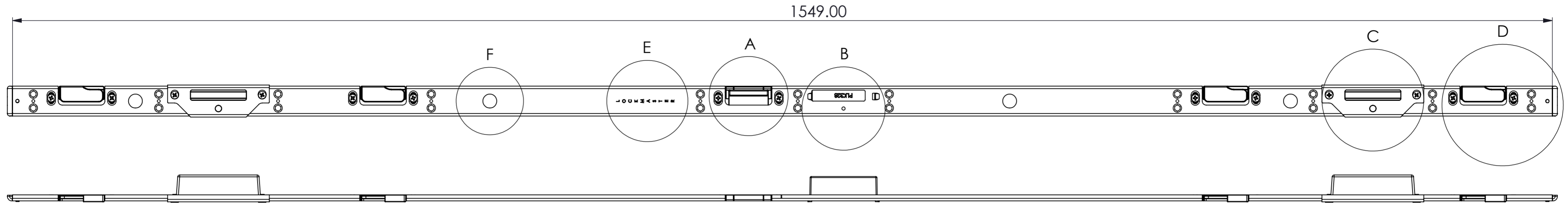
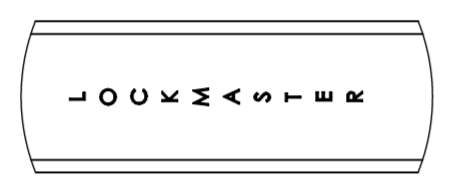


This work is copyright and no part may be reproduced, by any process, nor may any other exclusive right be exercised without the permission of ASSA ABLOY.

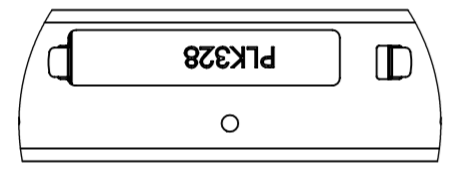
Revision	Description	Date
4	NO DESIGN CHANGES- UPDATED SHEET FORMAT	2019-01-28



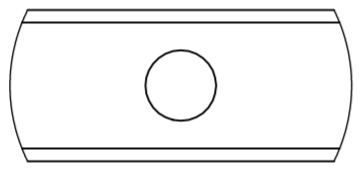
DETAIL A
SCALE 2 : 3



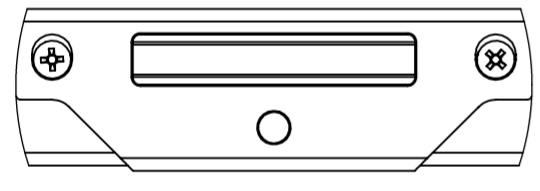
DETAIL E
SCALE 2 : 3



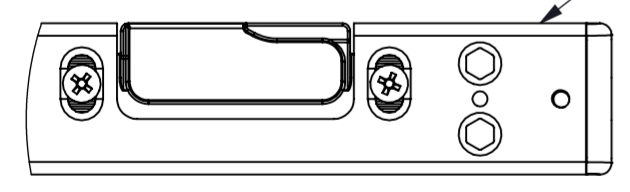
DETAIL B
SCALE 2 : 3



DETAIL F
SCALE 2 : 3



DETAIL C
SCALE 2 : 3



DETAIL D
SCALE 2 : 3

ITEM NO.	PART NUMBER	DESCRIPTION	qty
1	LK005-C02-19	BASE PLATE LH FOR PL172HK	1
2	PLK99-C134	LATCH PLATE	1
3	PLK99-C135	ROLLER BOX LH	4
4	PLK328	HOOK & DEAD BOLT TIDY BOX	1
5	PLK99-C004	HOOK TIDY BOX (SCREW TYPE)	2
6	PLK99-C155	END CAP (SCREW-ON)	2
7	OF6607SC	M4 x 6MM LONG COUNTERSUNK HEAD TAPTITE SCREW POZIDRIV	10
8	PL10-C071-19	M4 x 8 (THREAD ROLLING SCREW)	4
9	OF83585SC	M3.5 x 6MM LONG COUNTERSUNK HEAD TAPTITE SCREW POZIDRIV	2
10	PLK-C784	HIGH SECURITY KEEP PLATE	2
11	PLK-C077	RIVET FOR SECURITY KEEP PLATE	2

Surface treatment: SEE INDIVIDUAL COMPONENTS		Material: SEE INDIVIDUAL COMPONENTS		General tolerance: N/A	
Volume: 144133.18 mm³	Mass: 360.24 gram	Surface area: 175582.04 mm²	Created (YYYY-MM-DD): 2013-05-16	Designed by: PS	Drawn by: RC
ASSA ABLOY ASSA ABLOY UK			Industrial Lock LH (PL172HK) ASSEMBLY P729		Scale: 1:4 (A2)
Alternate ID LK005-596HS				Document ID D000480995-001	Rev.: 4