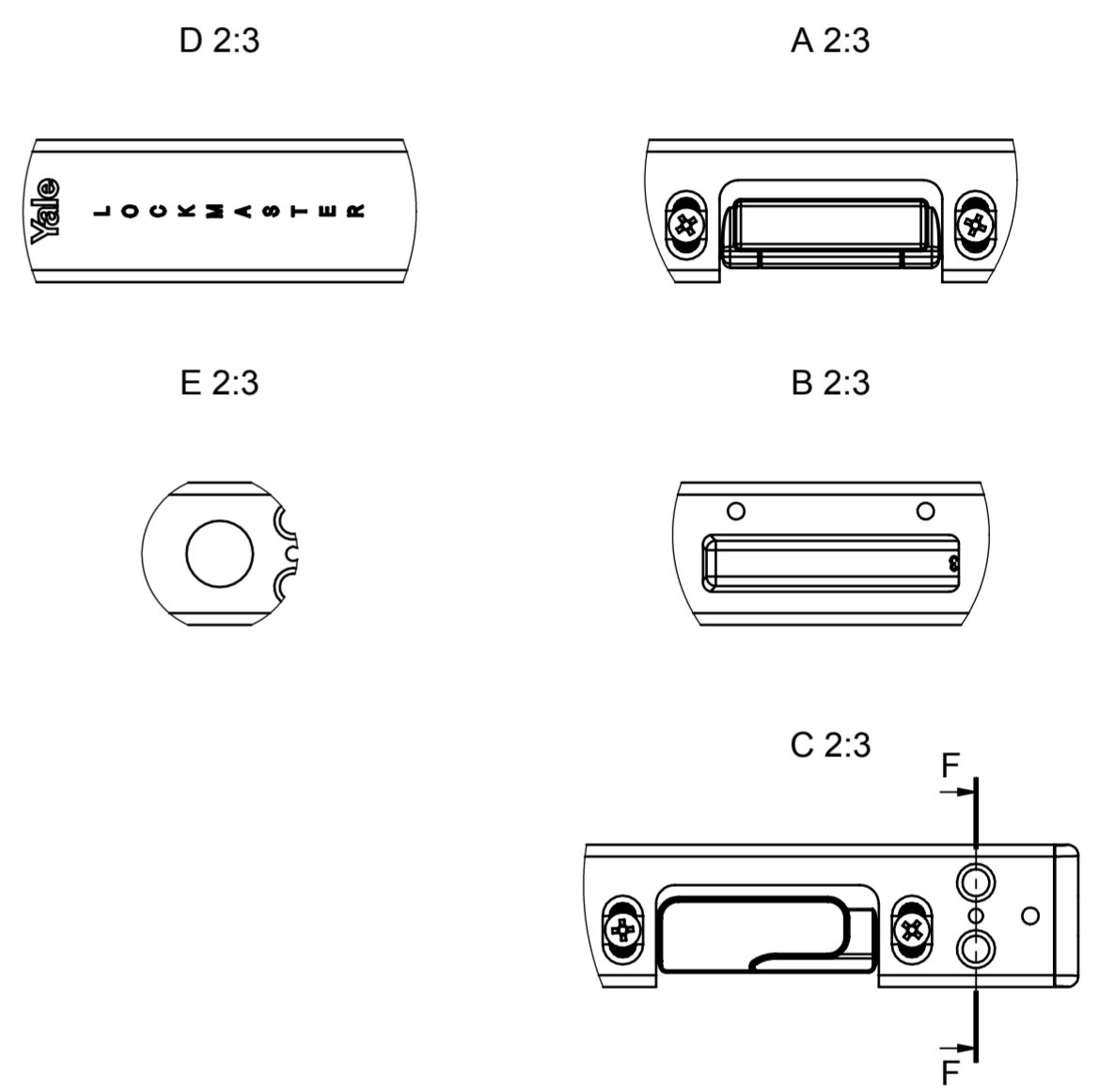
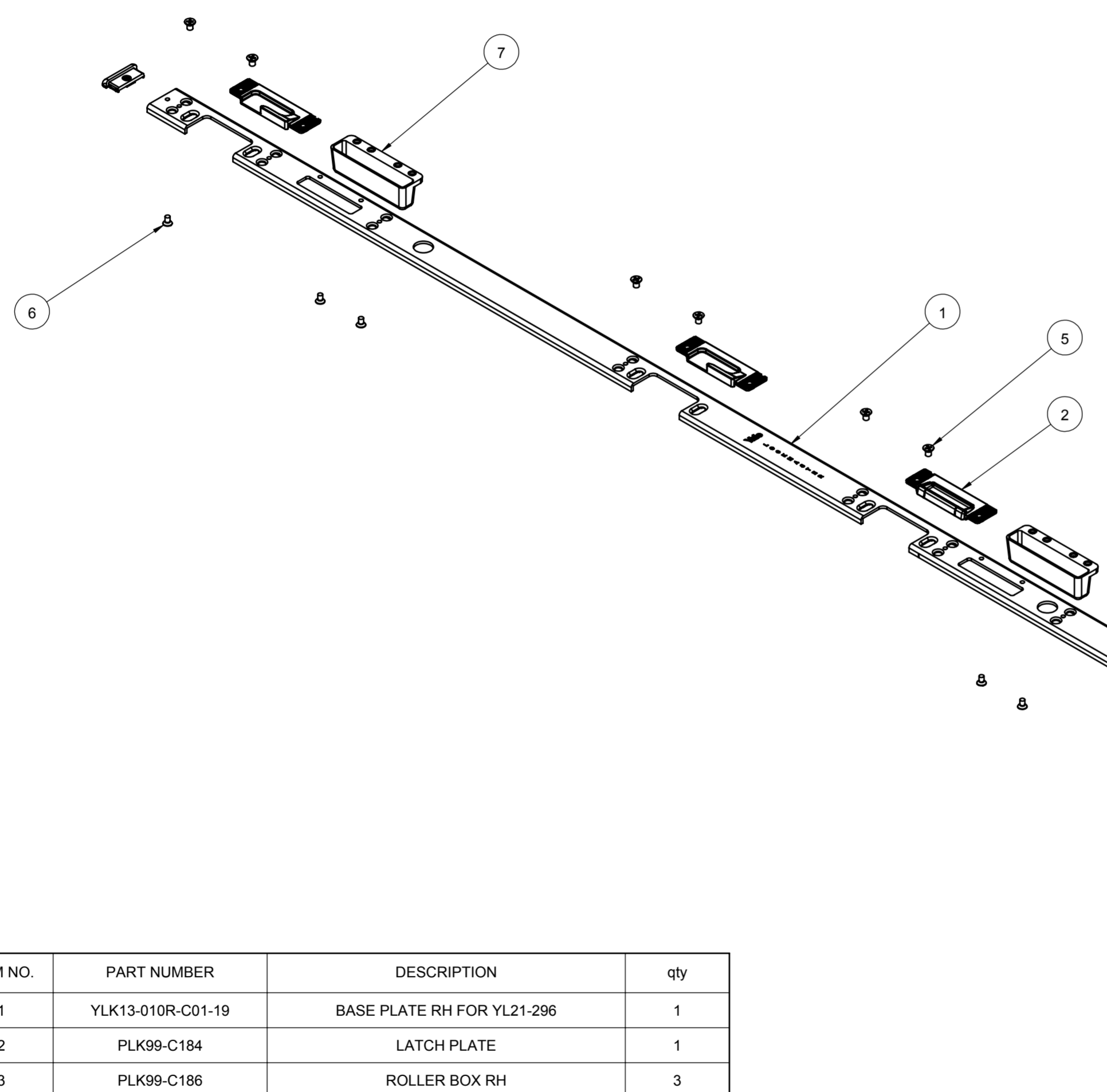
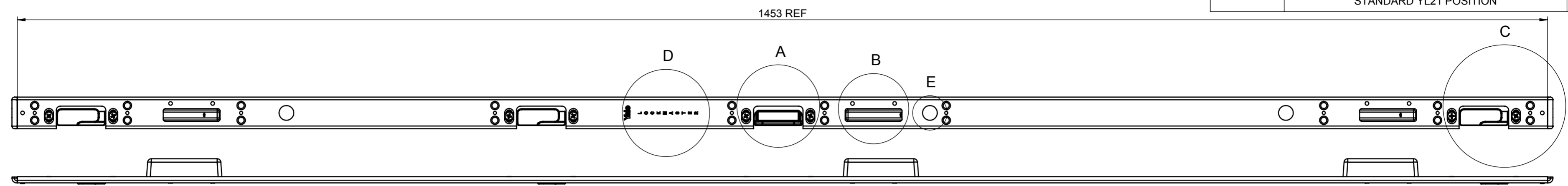
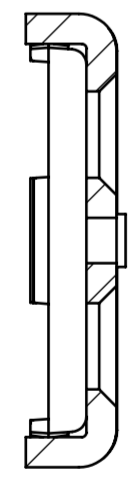


This work is copyright and no part may be reproduced, by any process, nor may any other exclusive right be exercised without the permission of ASSA ABLOY.

Revision	Description	Date
1	AS DRAWN	2018-02-19
2	EXTRA ROLLER ADDED ABOVE THE LATCH - STANDARD YL21 POSITION	2018-03-07



F-F 2:1



ITEM NO.	PART NUMBER	DESCRIPTION	qty
1	YLK13-010R-C01-19	BASE PLATE RH FOR YL21-296	1
2	PLK99-C184	LATCH PLATE	1
3	PLK99-C186	ROLLER BOX RH	3
4	PLK99-C155	END CAP (SCREW-ON)	2
5	OF6607SC	M4 x 6 (THREAD ROLLING SCREW)	8
6	OF83585SC	M3.5 x 6 (THREAD ROLLING SCREW)	8
7	PLK99-C187	SCREW-ON TIDY (HOOK / DEADBOLT)	3

Surface: N/A	Material: N/A	General tolerance: LIN: +/- 0.1mm ANG: +/- 0 Deg 30 Min
Volume: 126211.51 mm³	Weight: 827.84 gram	Surface area: 149054.21 mm²
Created (YYYY-MM-DD): 2018-02-19	Designed by: PS	Drawn by: PS
ASSA ABLOY ASSA ABLOY UK		Scale: 1:3 (A2)
Industrial Lock RH ASSY FOR YL21-296 P1456 (13MM STYLE)		Projection:
Alternate ID: YLK13-010R-296		Document ID: D000896908-001
		Rev.: 2