



The world's favourite lock since 1843

Defender Cavity Fit Restrictor

Standard duty restrictor

The ultimate solution
to resident safety



- Tested to BS 6375-2 to load bearing capacity of safety devices
- Austenitic 304 stainless steel for enhanced corrosion resistance - BS EN 10088-2:2005 Grade 1.4301
- Compatible with all Yale standard duty hinges including Defender Egress Easy Clean

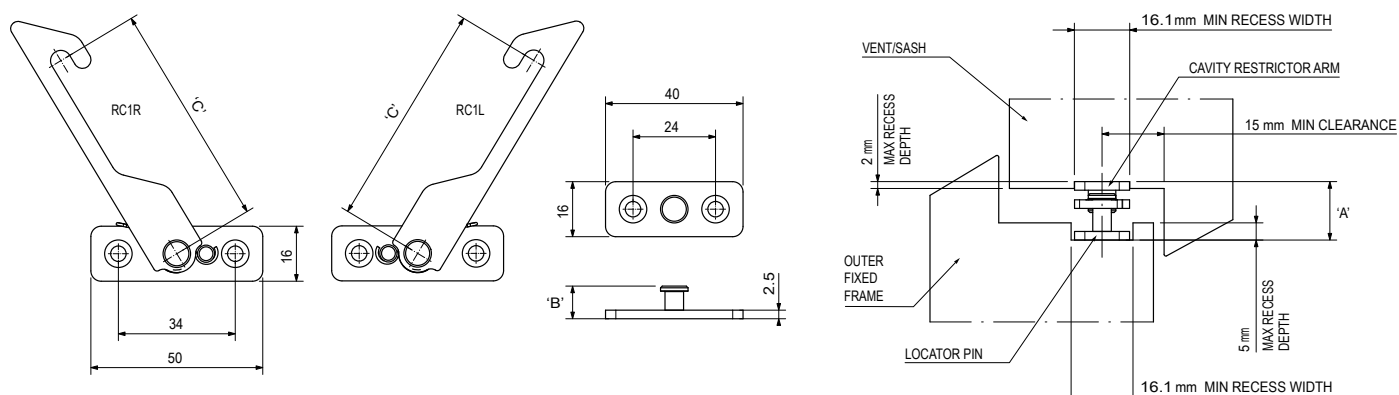


RESTRICTOR
Mechanism limits maximum opening



CAVITY LOCATOR PIN
For each standard cavity height

Product Specifications



Part Codes	Description	Cavity Size (Dim 'A')	Pin Height (Dim 'B')	Restrictor Length (Dim 'C')	Box Quantity
RC1L-Y	Cavity Restrictor LH 66mm	-	-	65.5mm	25
RC1R-Y	Cavity Restrictor RH 66mm	-	-	65.5mm	25
RC2L-Y	Cavity Restrictor LH 116mm	-	-	115.5mm	25
RC2R-Y	Cavity Restrictor RH 116mm	-	-	115.5mm	25
RC3L-Y	Cavity Restrictor LH 166mm	-	-	165.5mm	25
RC3R-Y	Cavity Restrictor RH 166mm	-	-	165.5mm	25
SC1	Locator Pin 13mm	13-14mm	9.5mm	-	25
SC2	Locator Pin 16mm	16-17mm	13.5mm	-	25
SC3	Locator Pin 17mm	17-18mm	14.5mm	-	25
SC4	Locator Pin 13mm	13-14mm	11.5mm	-	25

- Easy to fit with no routing required
- Compatible with standard countersunk fixings
- Can be used on windows without reinforcement
- Available in 13mm, 16mm and 17mm cavity heights
- Left and right hand product available

Yale Door and Window Solutions

Kingsmead Industrial Estate, Princess Elizabeth Way,
Cheltenham, Gloucestershire, GL51 7RE UK
T: 01242 221 200 F: 01242 520 828
www.yaledws.co.uk

THE YALE BRAND, with its unparalleled global reach and range of products, reassures more people in more countries than any other consumer locking solution.

THE ASSA ABLOY GROUP is the world's leading manufacturer and supplier of locking solutions, dedicated to satisfying end-user needs for security, safety and convenience.

© Yale, September 2016



Due to a continuous programme of development the company reserves the right to make alterations without notice. (Products which are not a stocked item will be subject to a longer lead time which needs to be agreed with your Yale representative).